

# **DT-510**

## **5G Wireless Signal Jammer**

### **User Manual V1.0**



# Contents

<b>1</b>	<b>Overview .....</b>	<b>1</b>
<b>1.1</b>	<b>Brief Introduction .....</b>	<b>1</b>
<b>1.2</b>	<b>Features .....</b>	<b>1</b>
<b>1.3</b>	<b>Appearance .....</b>	<b>3</b>
<b>1.4</b>	<b>Major Accessories .....</b>	<b>4</b>
<b>2</b>	<b>Main Functions and Specifications .....</b>	<b>5</b>
<b>3</b>	<b>Installation &amp; Use .....</b>	<b>7</b>
<b>4</b>	<b>Jamming On/Off Quickly .....</b>	<b>8</b>
<b>5</b>	<b>Indicators .....</b>	<b>9</b>
<b>5.1</b>	<b>Indicators When The System Is Working .....</b>	<b>9</b>
<b>5.2</b>	<b>Individual Indicator .....</b>	<b>9</b>
<b>6</b>	<b>Notes .....</b>	<b>10</b>
<b>7</b>	<b>Web Control Interface Brief .....</b>	<b>10</b>
<b>7.1</b>	<b>Log In .....</b>	<b>10</b>
<b>7.2</b>	<b>System Status Interface .....</b>	<b>10</b>
<b>8</b>	<b>Safety Notice .....</b>	<b>11</b>

# 1 Overview

## 1.1 Brief Introduction

- Wireless signal jammer, can effectively block/jamming mobile communication network 2G/3G/4G/5G and 2.4G/5.2G/5.8G (WIFI/Bluetooth) and other wireless communication signal transmission, including voice, SMS, data uploading/downloading and other services, jamming effect covers the mainstream application bands of the 4 major carriers of China Mobile, China Unicom, China Telecom, and China Broadcasting and Television. For other countries and regions can be upgraded through the software to meet the needs.
- Suitable for meeting rooms, examination halls, hospitals, auditoriums, prisons, government agencies, financial institutions and other indoor confidential places.
- The jamming is only for the downlink signal of the base station, which does not affect the public information security, and is harmless to other electronic equipment and human body.

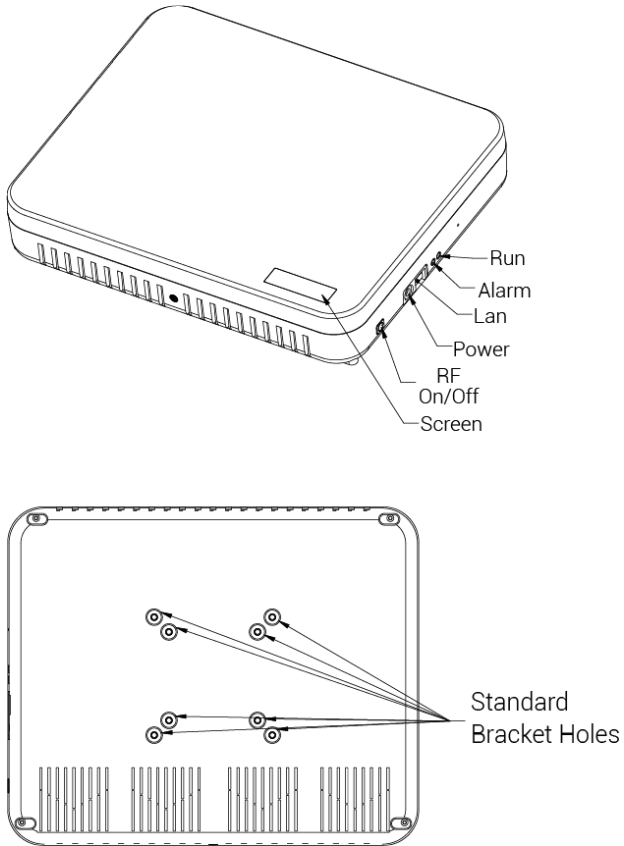
## 1.2 Features

1. Based on SDR (software radio) architecture design and development, using signaling level jamming strategy, from the signal physical layer definition, signal modulation mode and other technical

characteristics of the target signal targeted and efficient jamming

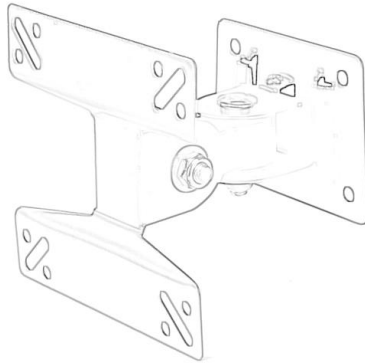
2. Low transmit power, high jamming efficiency, compared with traditional jamming technology, in the case of the same transmit power has a better jamming effect and coverage distance
3. Within the coverage area, it can accurately jamming the downlink signal of BTS, only jamming with cell phone terminals, without affecting the uplink communication of BTS, especially applicable to the downlink signal jamming of TDD system, without affecting and hindering the safety of public communication.
4. Support 700M-6GHz range of all mainstream mobile communication bands jamming, covering 2G/3G/4G/5G mobile communication and WIFI Bluetooth signals.
5. The system is plug-and-play, no need for parameter configuration and other additional operations after power-on, easy to use.
6. Support the jamming on/off through the device or Web.
7. Network port connection, support for Web remote monitoring and system parameter adjustment. (\* can support networking applications, optional)
8. Support channel power independent configuration, channel independent switch setting, easy to use and flexible.
9. IP address and other parameters are displayed on the screen.
10. Small size, light weight, easy to install.

## 1.3 Appearance

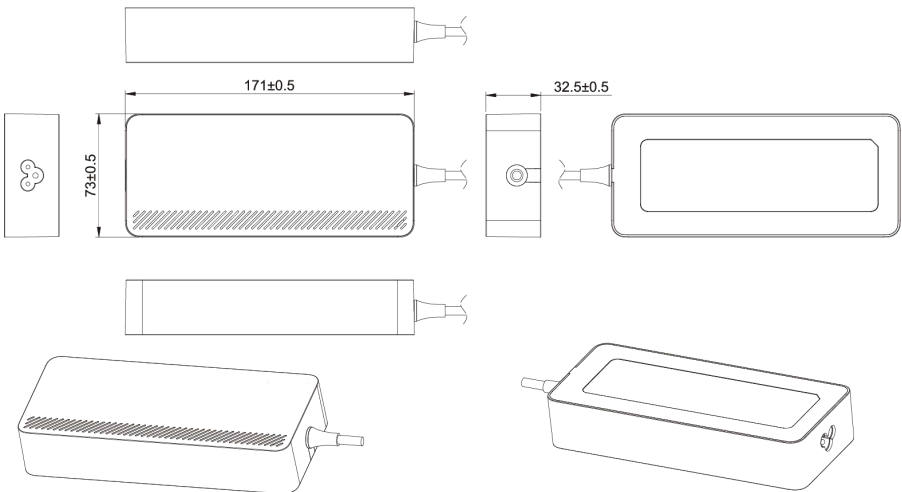


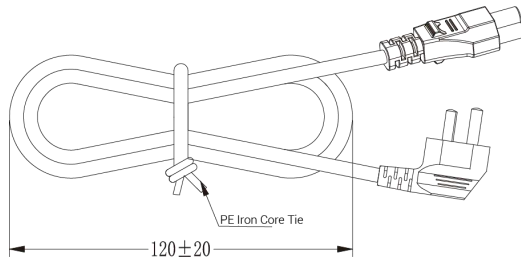
- Dimensions: 348mmx287mmx62mm
- Weight: 2.6kg

## 1.4 Major Accessories



Back Bracket





Adaptor

- Input: utility power
- Output: 19 V 12.63A (240W)
- DC connector: 5.5mmx2.5mm

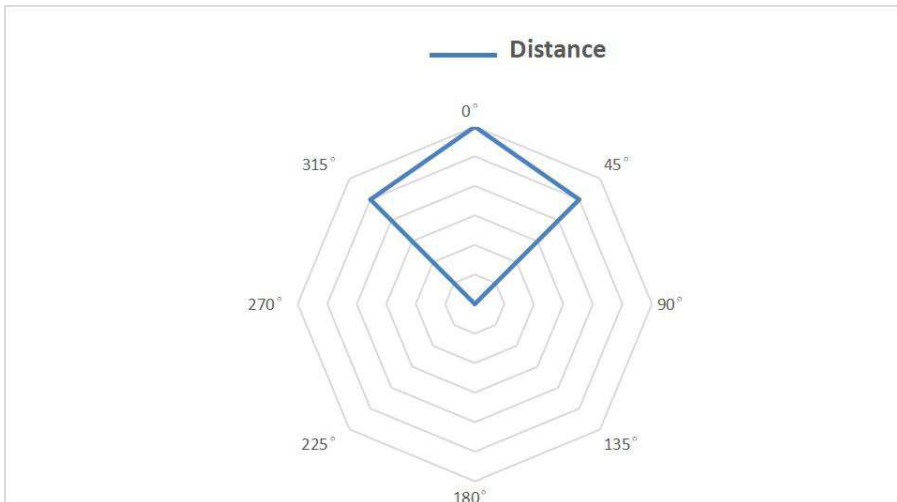
## 2 Main Functions and Specifications

1. Effectively jamming all kinds of wireless signals: 2G, 3G, 4G, 5G, Wifi (2.4G/5.2G/5.8G), Bluetooth
2. Power on to work stably for a long time. By default, the jamming is started after power-on
3. With one-button switch jamming function, the jamming can be controlled through the Web control interface.
4. Each channel can be configured with an independent switch. After the system starts, the channel is on by default.
5. Each channel can be independently configured with power, and the power can be adjusted in 3 levels: high/medium/low
6. Alarm function: The LED indicator alarms. If an abnormal alarm

occurs after the system works stably, the alarm indicator is steady red

7. Supports Web remote monitoring and configuration
8. Powered by adapter
9. Antenna: directional (built-in) antenna
10. Power regulation range: high/medium/low 3 adjustable
11. Effective jamming range:

Unshielded environment, covering area 60 m<sup>2</sup>-80m<sup>2</sup> (RSRP less than -85 dBm ~ -90 dBm)



12. Storage temperature: -40°C ~ 70°C
13. Working temperature: -20°C ~ 40°C
14. Effective jamming frequency bands:



Channel	Jamming Bands (MHz)
Channel1	934-960
Channel2	2300-2370
Channel3	3400-3500
Channel4	3500-3600
Channel5	869-880
Channel6	2010-2170
Channel7	2515-2615
Channel8	758-798
Channel9	2615-2675
Channel10	1805-1915
Channel11	2400-2485
Channel12	3300-3400
Channel13	4800-5000
Channel14	5150-5350
Channel15	5725-5850

### 3 Installation & Use

1. Take out the device mainframe from the packing box.
2. Install the jammer on the standard tripod through the installation screw hole at the bottom, and the best installation height is 1.4m~1.8m.
3. Insert the output port of the power adapter into the host, and then insert the input port of the adapter into the mains socket. After the power is powered on, it starts to start.

4. After the system is powered on, the system enters the automatic configuration state for 4 minutes. When the Alarm and Running indicators are green on at the same time, the system turns on the jamming.
5. After the initial configuration of the system, if the warning light indicates red (steady red), power on again to solve the problem.

## 4 Jamming On/Off Quickly

### 1. Power on:

Connect the power adapter to the power interface (power on).

### 2. Observe the indicator lights on:

When all the indicators show green at the same time, the jammer officially starts jamming.

### 3. Jamming on:

Within the effective range, check the status of the cell phone, cannot make a call, cannot access the Internet, starts successfully.

### 4. On/Off button switch jamming:

After the jammer starts jamming (Alarm/Running indicators are green), you can press On/Off button on/off jamming from mainframe or Web control interface:

- Jamming off (when the jamming is turned off, the Running indicator is steady red), the system status interface shows the system is off.
- Jamming on (when jamming is activated, the Running indicator is steady green), the system status interface shows the system is working.

## 5 Indicators

### 5.1 Indicators When The System Is Working

**1. Automatic configuration after system startup:**

The Running indicator blinks red

**2. The system runs normally, and the interference function is enabled:**

Both the Running indicator and the Alarm indicator are steady green

**3. Alarm during system working:**

The Alarm indicator is steady red, and the Running indicator is steady green

**4. On/Off jamming:**

The Running indicator is steady red, alarm indicator is steady green

### 5.2 Individual Indicator

- A. Alarm indicator steady green: The system works normally
- B. Alarm indicator off: The system is in the startup configuration state
- C. Alarm indicator steady red: The alarm is abnormal
- D. Running indicator steady red: The interference is off
- E. Running indicator blinking red: The system is in the power-on configuration state
- F. Running indicator is steady green: startup jamming state (including startup jamming in some frequency bands)

## 6 Notes

1. Ensure that the device is powered on before you log in to the Web control interface.
2. When the wireless signal is jammed, some mobile phones will show a signal icon, which is an illusion, when you make a call, you will find that you can not dial the phone.

## 7 Web Control Interface Brief

### 7.1 Log In

1. Ensure that the device is powered on before login, and directly connect the computer to the jammer using the network cable.
2. Jammer's IP: 192.168.4.\*\*\* (shown on screen)
3. Set the IP address of the PC and the IP address of the jammer to the same network segment, for example, 192.168.4.2
4. Login: In the browser, you can directly log in to the system status page using the address on the screen.

### 7.2 System Status Interface

After successful login, you can directly enter the system status page, as shown in the following figure. You can start/disable jamming with one

button. If the system status page shows normal operation (green mark), the jamming is started; if the system status page shows the system is closed (gray mark), the jamming is turned off. Refresh the web page to get the serial number of the device (The jammer), software version, system temperature, whether the channel is started and the power configuration of the corresponding channel.

- Click the channel switch corresponding to the channel to enable or disable the channel
- Click corresponding power configuration for a channel to set the power level for the channel
- After the channel switch and power are successfully configured, and then power on again after the power is powered off, all channel switches are on and all power strengths are high by default.

The screenshot shows a web interface for a wireless signal jammer. At the top, there are navigation tabs: System status, Log query, System upgrade, and Settings. The current page is 'Settings', with a sub-tab for 'channel control'. The top right corner shows the device time as 2024-03-14 18:14:08.

On the left side, there are several control buttons: 'All start', 'All stop', 'IP address setting', 'Server IP', and a 'Close' button. Below these buttons, the system information is displayed: SN: 8105132028111, System temperature: 32.8°C, Software version: V13.2.23, and Configuration information: Default configuration.

The main content area is a table with the following columns: Channel, Band, channel control, and Power configuration. The table lists 15 channels, each with a unique band and a set of three radio buttons for power configuration (High, Medium, Low). The 'channel control' column contains a red power button for each channel.

Channel	Band	channel control	Power configuration
Channel 1	534-950MHz	<input checked="" type="checkbox"/>	<input checked="" type="radio"/> High <input type="radio"/> Medium <input type="radio"/> Low
Channel 2	2300-2370MHz	<input checked="" type="checkbox"/>	<input checked="" type="radio"/> High <input type="radio"/> Medium <input type="radio"/> Low
Channel 3	9450-32000MHz	<input checked="" type="checkbox"/>	<input checked="" type="radio"/> High <input type="radio"/> Medium <input type="radio"/> Low
Channel 4	2500-3600MHz	<input checked="" type="checkbox"/>	<input checked="" type="radio"/> High <input type="radio"/> Medium <input type="radio"/> Low
Channel 5	869-893MHz	<input checked="" type="checkbox"/>	<input checked="" type="radio"/> High <input type="radio"/> Medium <input type="radio"/> Low
Channel 6	2015-2170MHz	<input checked="" type="checkbox"/>	<input checked="" type="radio"/> High <input type="radio"/> Medium <input type="radio"/> Low
Channel 7	2015-2615MHz	<input checked="" type="checkbox"/>	<input checked="" type="radio"/> High <input type="radio"/> Medium <input type="radio"/> Low
Channel 8	758-798MHz	<input checked="" type="checkbox"/>	<input checked="" type="radio"/> High <input type="radio"/> Medium <input type="radio"/> Low
Channel 9	2015-2615MHz	<input checked="" type="checkbox"/>	<input checked="" type="radio"/> High <input type="radio"/> Medium <input type="radio"/> Low
Channel 10	1805-1915MHz	<input checked="" type="checkbox"/>	<input checked="" type="radio"/> High <input type="radio"/> Medium <input type="radio"/> Low
Channel 11	2400-2485MHz	<input checked="" type="checkbox"/>	<input checked="" type="radio"/> High <input type="radio"/> Medium <input type="radio"/> Low
Channel 12	3300-3405MHz	<input checked="" type="checkbox"/>	<input checked="" type="radio"/> High <input type="radio"/> Medium <input type="radio"/> Low
Channel 13	4800-5000MHz	<input checked="" type="checkbox"/>	<input checked="" type="radio"/> High <input type="radio"/> Medium <input type="radio"/> Low
Channel 14	5150-5250MHz	<input checked="" type="checkbox"/>	<input checked="" type="radio"/> High <input type="radio"/> Medium <input type="radio"/> Low
Channel 15	6725-6805MHz	<input checked="" type="checkbox"/>	<input checked="" type="radio"/> High <input type="radio"/> Medium <input type="radio"/> Low

## 8 Safety Notice

Before using our wireless signal jamming system, please read the following safety instructions carefully and comply with the code of

operation:

1. The user must use the adapter matching the system for power supply. If other adapters are used, power supply mismatch may cause damage to the device and the operator.
2. When using the product, strictly refer to the relevant contents of this guide to avoid damage to the human body and the device.
3. The device has been strictly tested and verified before delivery. Do not disassemble the device to avoid damage or abnormal functions.
4. The device has the power transmission function, and in some specific cases, the temperature may be high during the system operation, do not touch the device unless necessary. It is recommended to take protective measures during operation (such as wearing gloves).