

TR4000 Series Tripod Turnstile



TR4000 tripod turnstiles is a space efficient security barrier, with a compact design, yet offer sufficient space to integrate any access control system. The device works bi-direction to control the entrance. It has a Good performance for anti-tailgate. With the modular design, the maintenance of the device is easy and fast. Tripod turnstile is a cost-effective solution for entrance control.

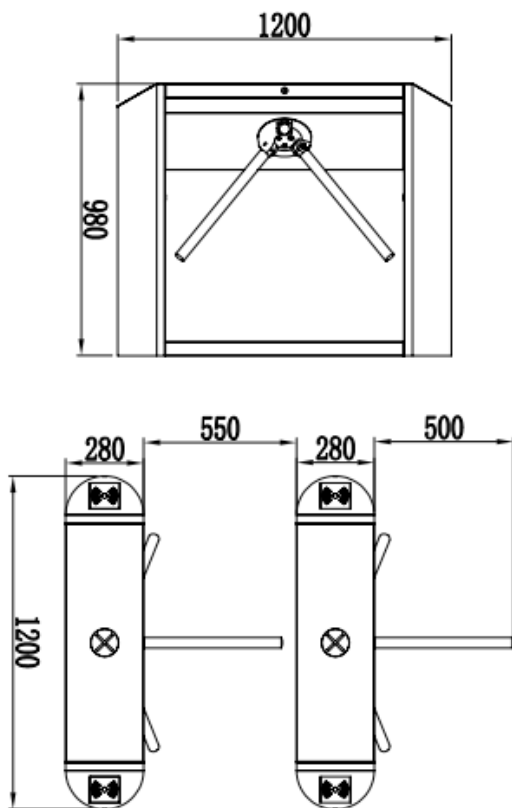
Feature:

- SUS304 stainless steel cabinet(316 optional)
- Bi-directional operation with arm drop function
- Adjustable time out delay
- Easy and simple installation process, easy to maintain

SPECIFICATION

| Model No. | TR4000 |
|---------------------|----------------------|
| Power requirements | AC110V/220V, 50/60Hz |
| Working temperature | -28 °C - 60 °C |
| Working environment | Indoor/outdoor |
| Lane width(mm) | 550 |
| LED indicator | Y |
| Cabinet material | SUS304 |
| Lid material | SUS304 |
| Barrier material | SUS304 |
| Barrier movement | Rotation |
| Security level | Medium |

PRODUCT DIMENSION



UNIQUE DESIGN

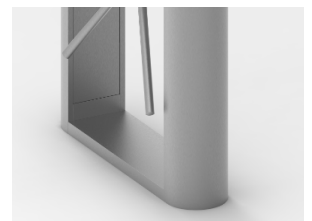
Flat and solid Lid

- Easy to integrate third party access control device, especially the latest face recognition device
- Total water proof design, the device can work outdoor directly



Solid two legs with girde

- The Device can be easily and strongly fixed onto the ground
- When Testing the device, it is convenient to make all the operation without falling down



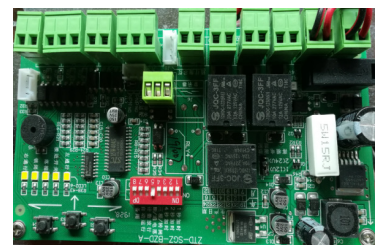
Improved Block Arm

- The mechanism of the block arm use improved design, avoiding wearing between the block arm and rotation plate, increase life cycle
- The gap between block arm and rotation plate is small



Reliable and Powerful Board

- Fast and easy setting by DIP switch
- Relay output for rotation confirm function
- Small LED show the status of the device clearly
- Testing keypad on board



Optional Model

- TR4000: Single Motor
- TR4200: Dual Motor