

TR1000 Series Tripod Turnstile



TR1000 tripod turnstiles is a space efficient security barrier, with a compact design, yet offer sufficient space to integrate any access control system. The device works bi-direction to control the entrance. It has a Good performance for anti-tailgate. With the modular design, the maintenance of the device is easy and fast. Tripod turnstile is a cost-effective solution for entrance control.

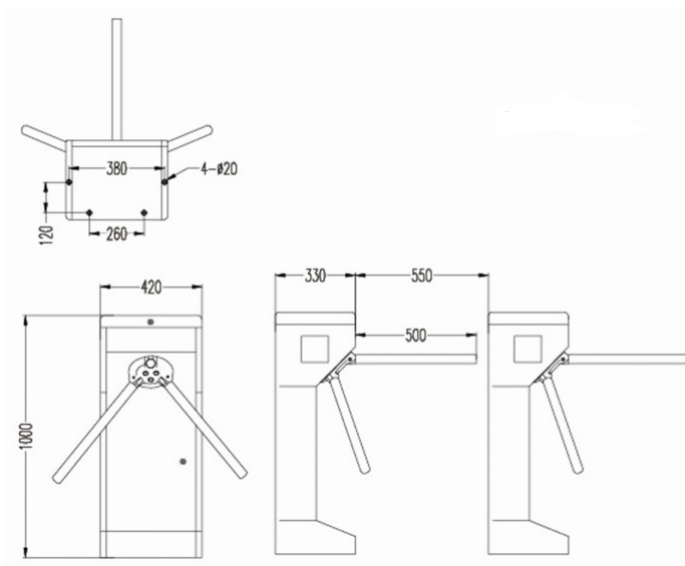
Feature:

- SUS304 stainless steel cabinet(316 optional)
- Bi-directional operation with arm drop function
- Adjustable time out delay
- Easy and simple installation process, easy to maintain

SPECIFICATION

Model No.	TR1000
Power requirements	AC110V/220V, 50/60Hz
Working temperature	-28 °C - 60 °C
Working environment	Indoor/outdoor
Lane width(mm)	550
LED indicator	Y
Cabinet material	SUS304
Lid material	SUS304
Barrier material	SUS304
Barrier movement	Rotation
Security level	Medium

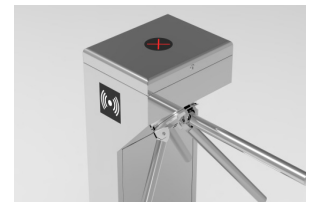
PRODUCT DIMENSION



UNIQUE DESIGN

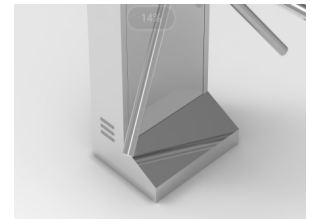
Flat and solid Lid

- Easy to integrate third party access control device, especially the latest face recognition device
- Total water proof design, the device can work outdoor directly



Triangle Leg Support

- The Device can be easily and strongly fixed onto the ground
- When Testing the device, it is convenient to make all the operation without falling down



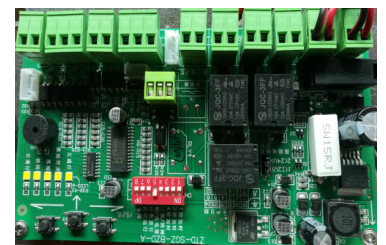
Improved Block Arm

- The mechanism of the block arm use improved design, avoiding wearing between the block arm and rotation plate, increase life cycle
- The gap between block arm and rotation plate is small



Reliable and Powerful Board

- Fast and easy setting by DIP switch
- Relay output for rotation confirm function
- Small LED show the status of the device clearly
- Testing keypad on board



Optional Model:

- TR1000: Single Motor
- TR1200: Dual Motor