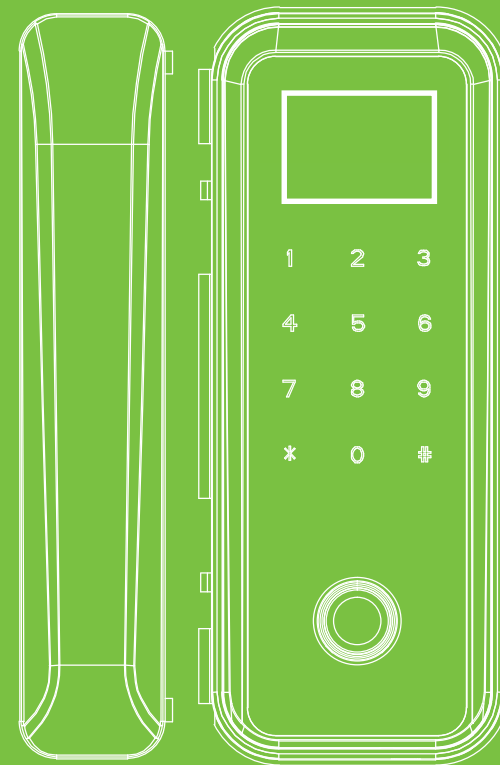


# Installation Guide

## Fingerprint Door Lock

---

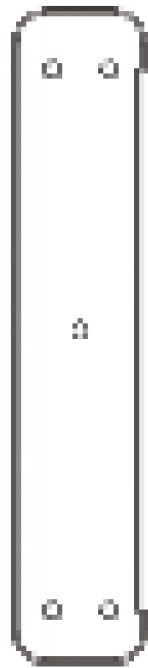
Version: 2.0



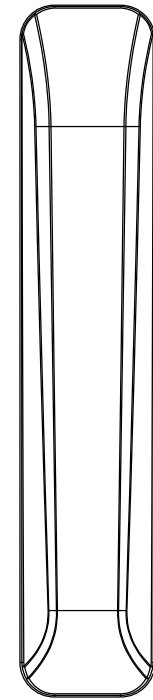
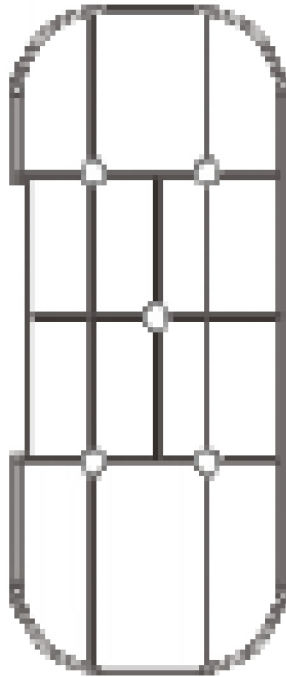
# Pack list



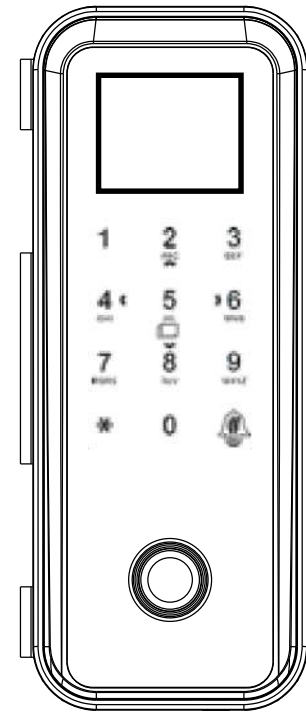
Accessories Bag



Sticky board



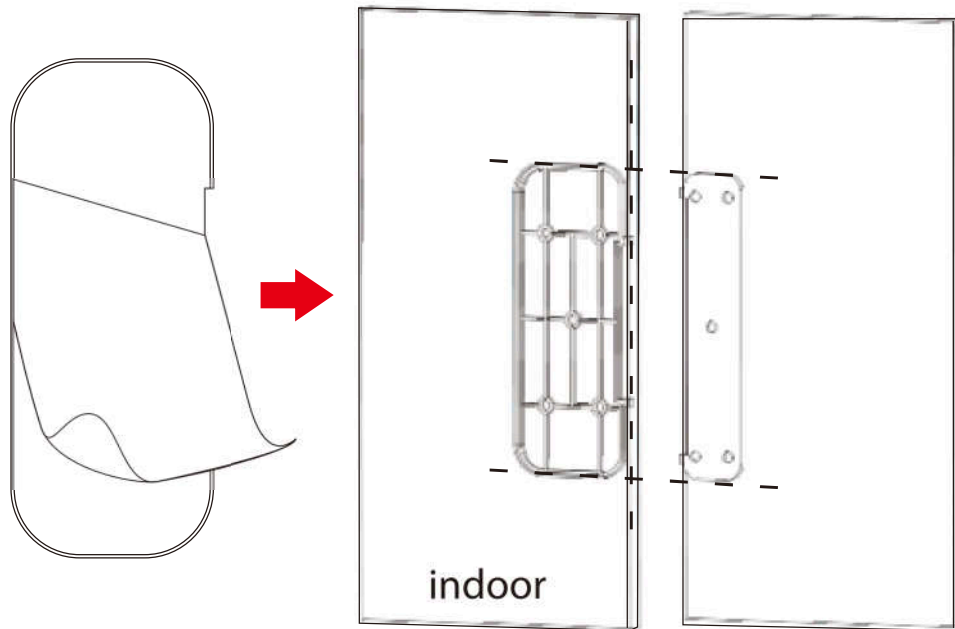
Part B



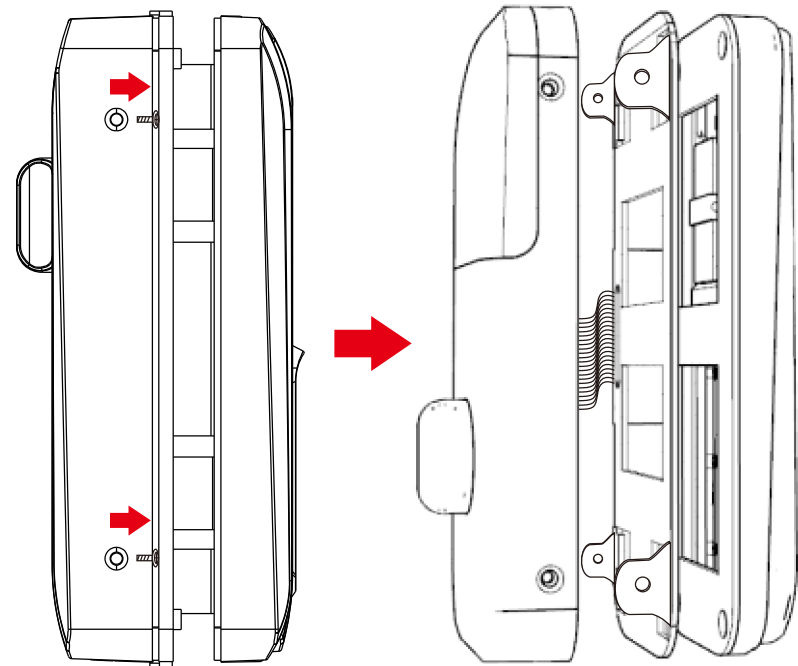
Part A

# Installation

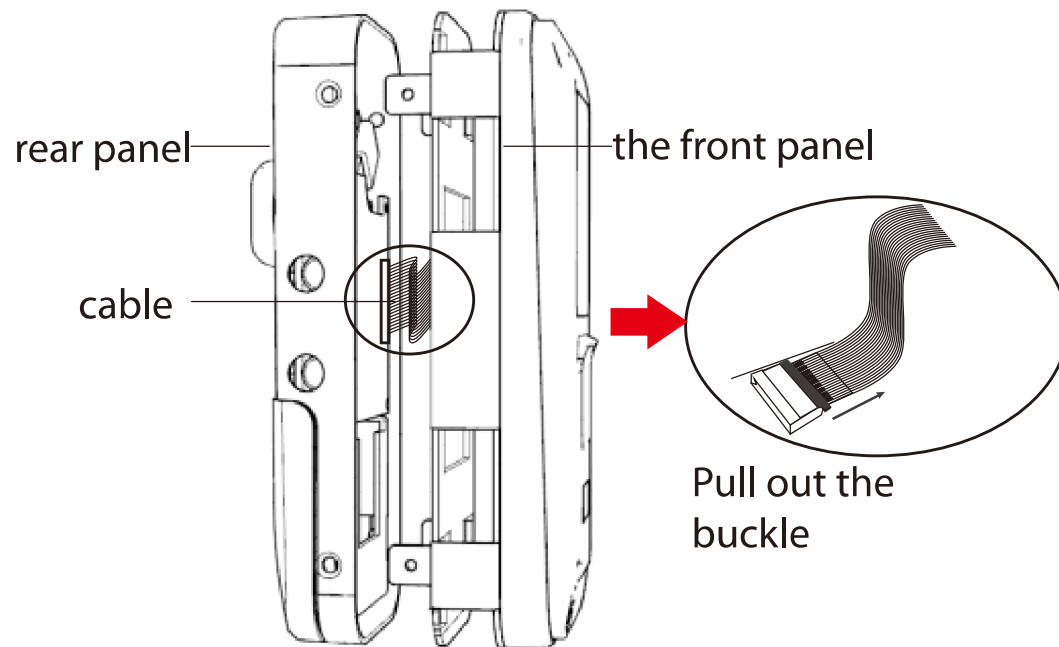
1. Peel the sticker off the mounting plate and stick it at the appropriate height



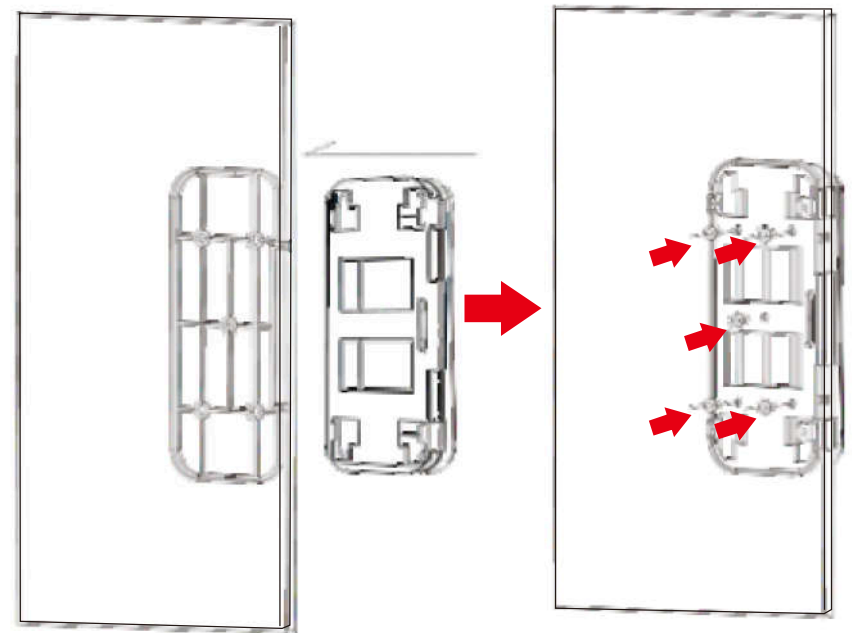
2. Remove screws from lock Part A



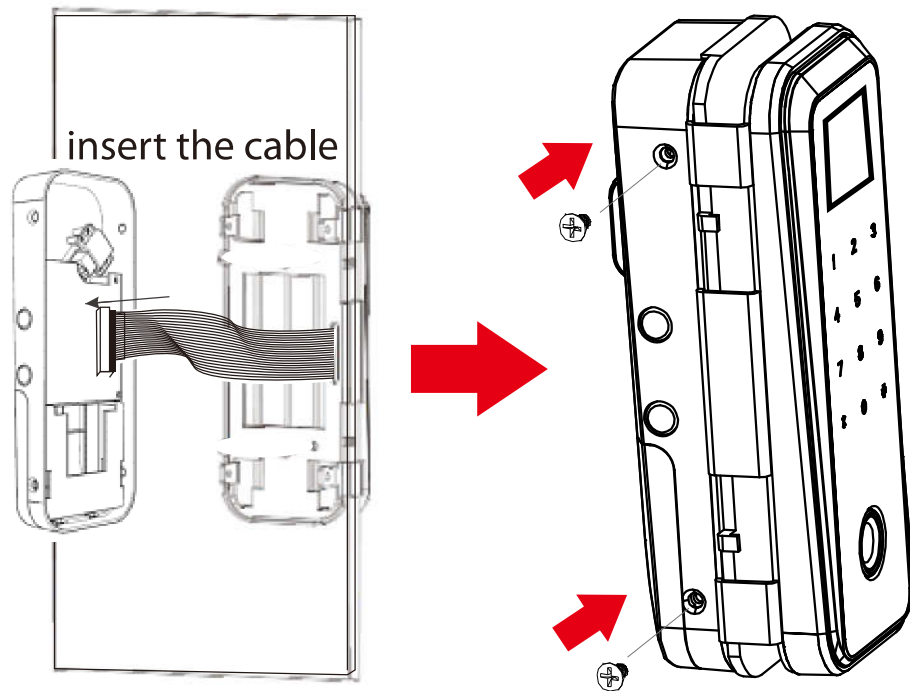
### 3. Detach the cable



### 4. Install the outdoor unit and tighten the screws

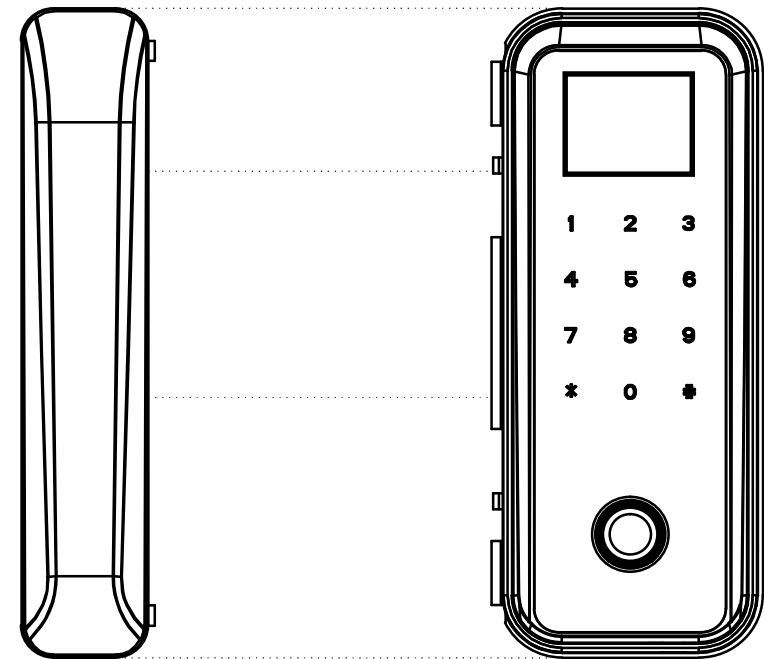


## 5. Secure Part A with the screws

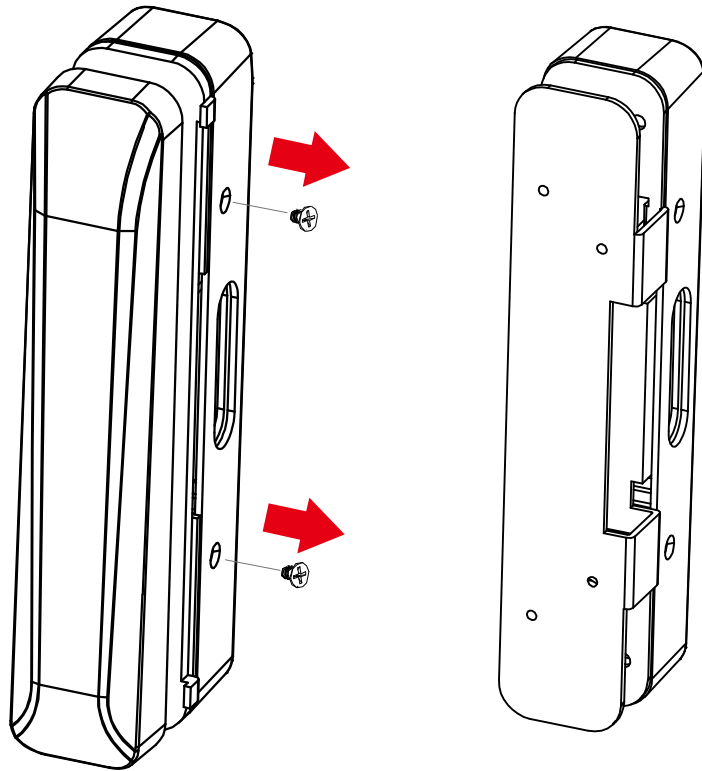


**Note:** Please be careful while connecting the cable.

## 6. When installing Part B, make sure that it is at the same height as Part A

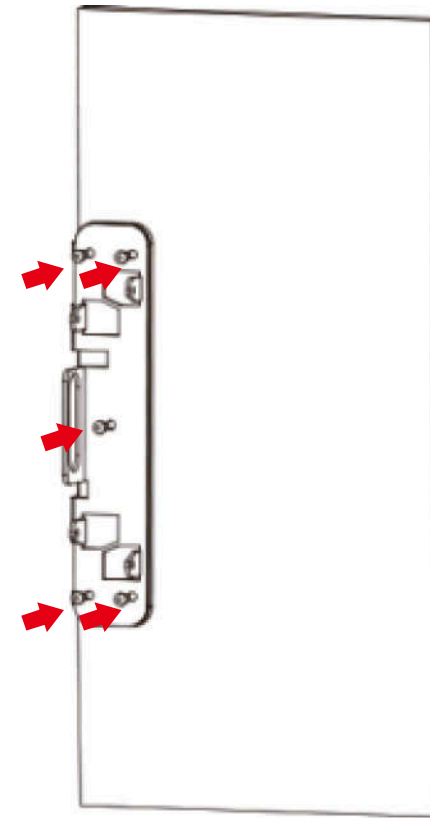


## 7. Unfasten and remove screws from Part B

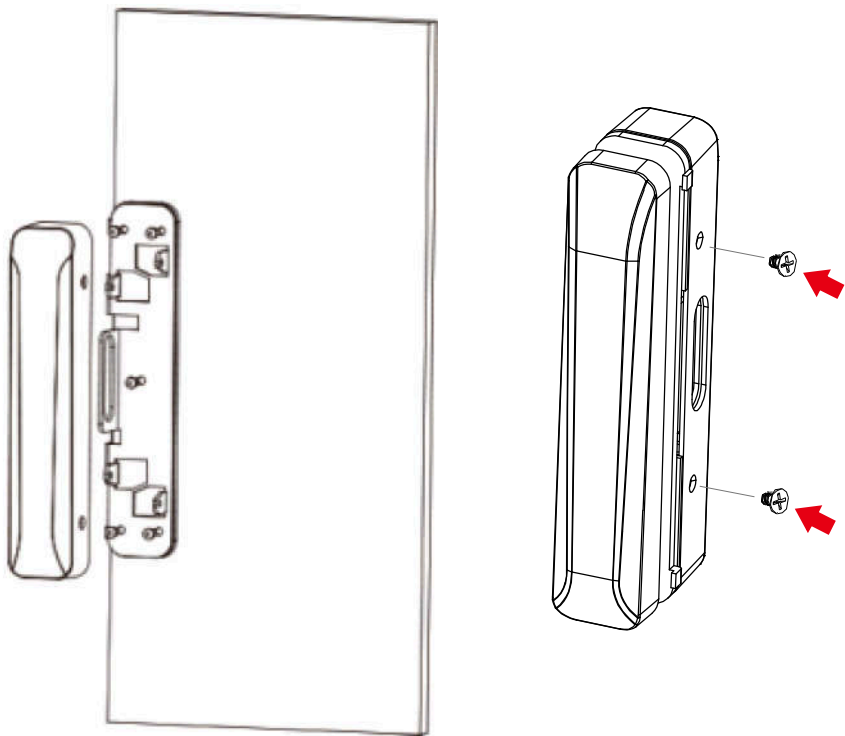


Part B

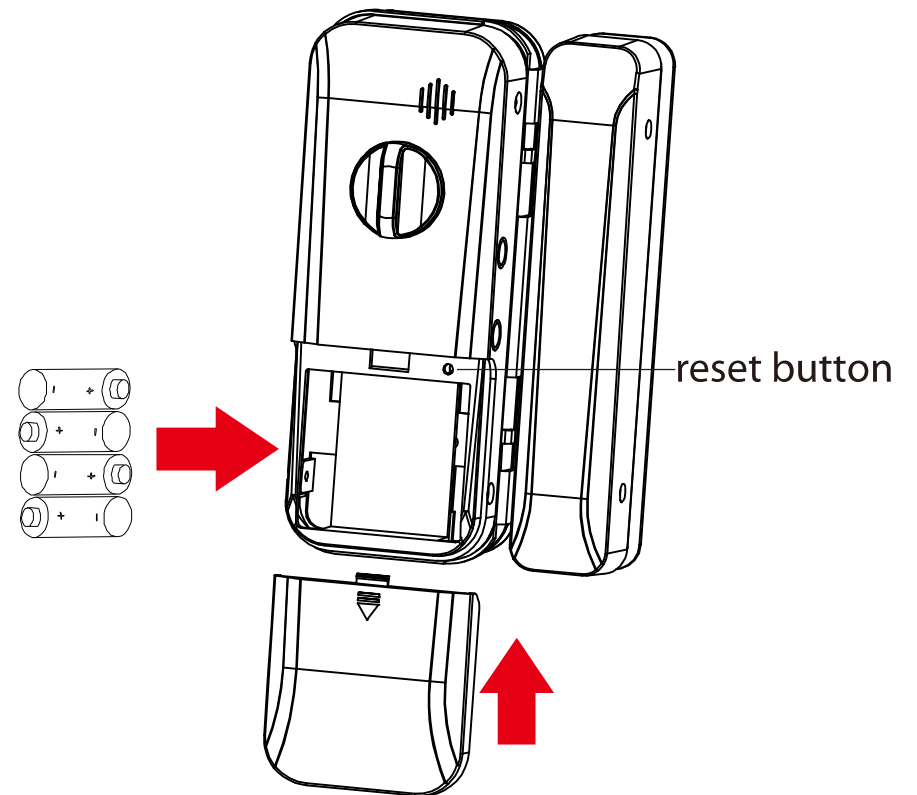
## 8. Install Part B outdoor unit on the glass door and fix it with the screws



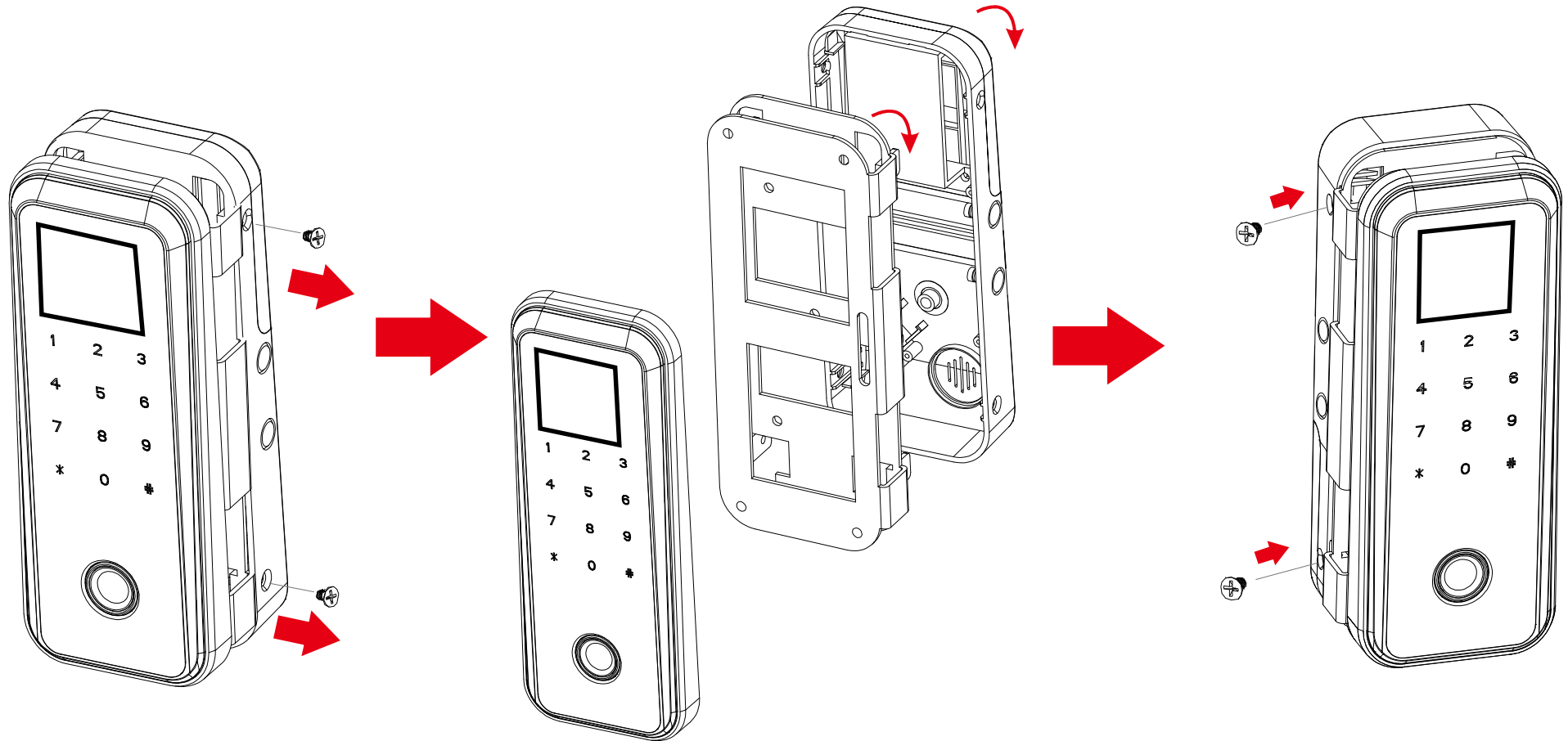
## 9. Install indoor unit on the glass door and secure with the screws



## 10. Install four batteries and fix the cover



# How to change door open direction



remove the screws

rotate the mounting bracket  
and indoor unit 180°

reinstall the screws



**Thanks for purchasing our Fingerprint Door Lock!**

**[www.isecus.com](http://www.isecus.com)   [sales@isecus.com](mailto:sales@isecus.com)**